

Rev. 8-04 Shaded area indicates change.

- Catalog number – **A-2360-6** flanged ends
- Sizes – 2", 2-1/2", 3", 4", 6", 8", 10", 12"
- Meets or exceeds all applicable requirements of ANSI/AWWA C509 Standard and is certified to ANSI/NSF 61\*
- Flanged end dimensions and drilling comply with ANSI B16.1, class 125
- Iron body with nominal 10 mils MUELLER® Pro-Gard™ Fusion
- Epoxy Coated interior and exterior surfaces
- Epoxy coating meets or exceeds all applicable requirements of ANSI/AWWA C550 Standard and is certified to ANSI/NSF 61
- Iron wedge, symmetrical & fully encapsulated with molded rubber; no exposed iron
- Non-rising stem (NRS)
- Triple O-ring seal stuffing box (2 upper & 1 lower O-rings)
- Handwheel (2" square wrench nut optional)—open left or open right
- 2"-12" sizes—250 psig (1723 kPa) maximum working pressure, 500 psig (3447 kPa) static test pressure
- UL Listed, FM Approved: 200 psig (1379 kPa) – 2-1/2"-12" sizes

\* Approved for backflow prevention devices by USC (for 2-1/2" - 10" sizes)



**A-2360-6**

## Options

See pages 10.34 and 10.35 for more information on Resilient Wedge Gate Valve options

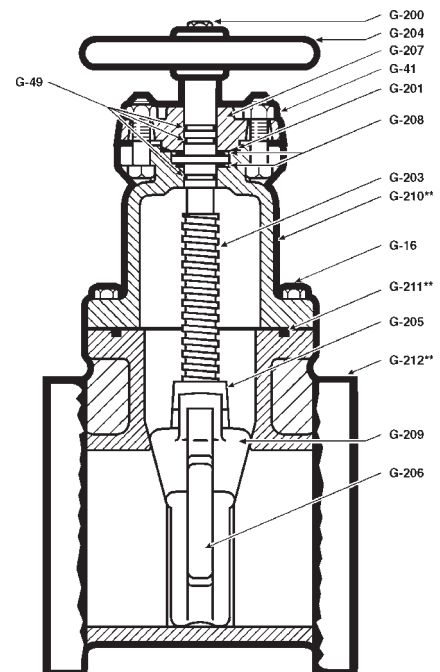
- Position indicators
- ASTM B98-C66100/H02 stem
- Stainless steel fasteners: Type 304, Type 316
- 2" square wrench nut
- PN 10/16 Drilling

## Resilient wedge gate valve parts

Catalog Part No.	Description	Material	Material standard
G-16	Bonnet Bolts & Nuts	Carbon Steel	ASTM A307 Grade B, Zinc Plated
G-41	Stuffing Box Bolts & Nuts	Carbon Steel	ASTM A307 Grade B, Zinc Plated
G-49	Stem O-rings (3)	Rubber	ASTM D2000
G-200	Wrench Nut Cap Screw	Carbon Steel	ASTM A307 Grade B, Zinc Plated
G-201	Stuffing Box Seal	Rubber	ASTM D2000
G-202	Wrench Nut	Cast Iron	ASTM A126 CL.B
G-203	Stem	Bronze	ASTM B138
G-204	Hand Wheel (not shown)	Cast Iron	ASTM A126 CL.B
G-205	Stem Nut	Bronze	ASTM B62
G-206	Guide Cap Bearings	Celcon	
G-207	Stuffing Box	Cast iron	ASTM A126 CL.B
G-208	Anti-friction Washers (2)	Celcon	
G-209	Wedge, Rubber Encapsulated	Cast Iron*	ASTM A126 CL.B
G-210**	Bonnet	Cast Iron	ASTM A126 CL.B
G-211**	Bonnet O-ring	Nitrite	ASTM D2000
G-212**	Body	Cast Iron	ASTM A126 CL.B

\* Fully encapsulated in molded rubber with no iron exposed

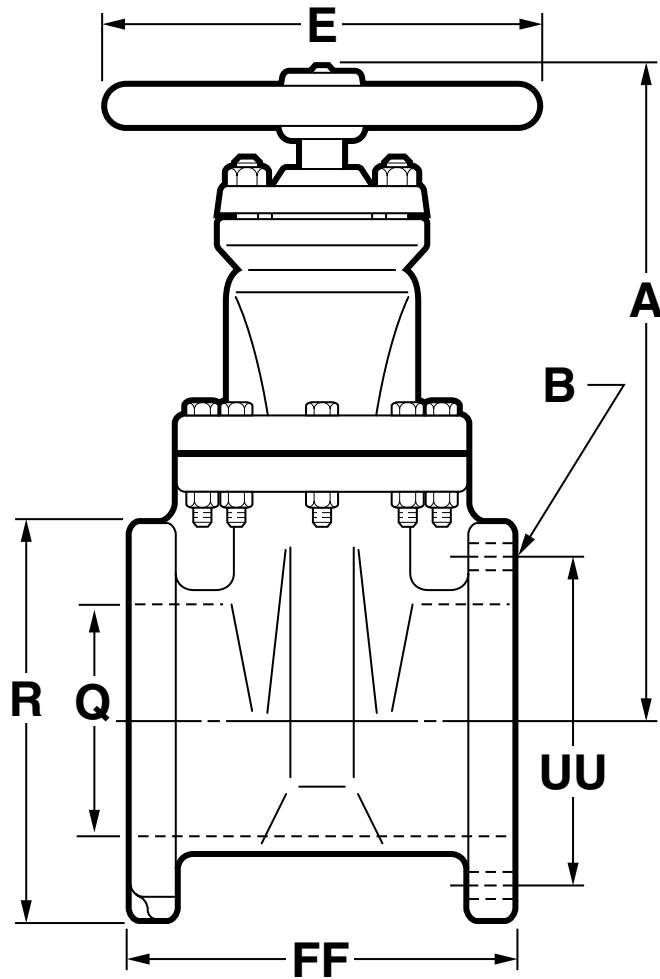
\*\* Previous to 1999 these parts on 4"-12" valves were designed with a gasket instead of an O-ring and with additional bolts (2"-3" sizes retain gasket design affecting these parts). Confirm the type of seal when ordering a replacement gasket or O-ring.



# 2"-12" MUELLER® A-2360 RESILIENT WEDGE GATE VALVE - FL. x FL.

**Mueller Co.** 10.13

Rev. 8-04



## Dimensions

Dimension*	Nominal size							
	2"	2-1/2"	3	4"	6"	8"	10"	12"
A	9.88	12.38	12.38	14.19	18.00	21.50	25.50	28.62
E	6.00	6.00	8.00	11.00	13.00	14.00	16.00	16.00
R	6.00	7.00	7.50	9.00	11.00	13.50	16.00	19.00
FF	7.00	7.50	8.00	9.00	10.50	11.50	13.00	14.00
Q (bore)	2.30	2.80	3.30	4.30	6.30	8.30	10.30	12.30
UU (bolt circle diameter)	4.75	5.50	6.00	7.50	9.50	11.75	14.25	17.00
B (number and size of holes)	4--3/4"	4--3/4"	4--3/4"	8--3/4"	8--7/8"	8--7/8"	12--1"	12--1"
Turns to open	8	11	11	14	20.5	26.5	33	38.5
Weight*	37	71	73	96	154	250	400	500

\*All dimensions are in inches. All weights are in pounds and are approximate.